

# AQUEA

## V-LOCK LID

- ▶ SEAMLESS ACCESS TO SKIMMER BOXES
- ▶ LOCKABLE LID FOR ULTIMATE SAFETY
- ▶ MODELS FOR INLAYS 8 ~ 60mm THICK
- ▶ NO ELECTRICAL BONDING REQUIRED



**GOOD  
DESIGN  
AWARD®  
WINNER**



**GOLD AWARD  
PRODUCT OF  
THE YEAR  
VICTORIA 2023**



**GOLD AWARD  
NEW PRODUCT  
AWARD  
VICTORIA 2023**



**HIGHLY COMMENDED  
NEW PRODUCT  
AWARD  
QUEENSLAND 2023**



**HIGHLY COMMENDED  
NEW PRODUCT  
AWARD  
NSW 2023**



**FINALIST  
PRODUCT OF  
THE YEAR  
NATIONAL 2023**



**FINALIST  
NEW PRODUCT  
AWARD  
NATIONAL 2023**

THE LOCKABLE CONCEALED LID

# V-LOCK SETS THE NEW STANDARD FOR SAFE & CONCEALED SKIMMER BOX ACCESS

V-LOCK Lids offer safe and concealed access to pool skimmers, protecting pool users from potential injury and setting a new benchmark for compliance to Australian Safety Standard AS1926.3

Manufactured from reinforced engineering polymer, V-LOCK lids provide exceptional strength, rigidity, and weather resistance without the need for electrical bonding or unsightly tea-staining.

V-LOCK's flush-fitting lids are easy to install and seamlessly blend into pool surroundings, ensuring a flawless finish every time. Ideal for both new pools and renovations, V-LOCK's straightforward on-site installation and range of models make it the perfect solution for tile, stone, concrete and timber pool decks.



## AUSTRALIAN DESIGNED FOR ALL POOLS AND ENVIRONMENTS

### ROBUST AND SECURE

V-LOCK's metal diecast key won't bend or break, providing ergonomic & safe lifting of lids.

### VERSATILE RANGE

Ideal for new builds or retrofits, V-LOCK lids come in a range of depths to suit any pool deck material. Dual-key kits adapt seamlessly to poured concrete or paver installations.

### SMART DESIGN

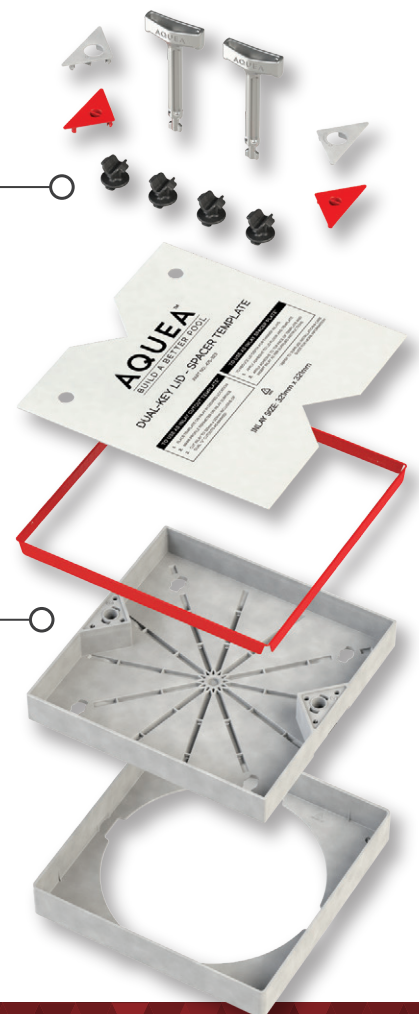
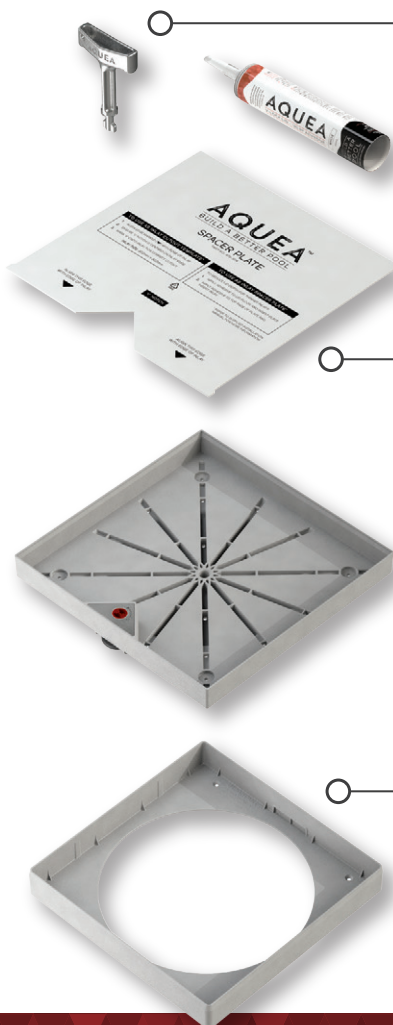
Quick and easy installation for all inlay types, including tile, stone, paver, timber, and concrete. All kits come with templates and construction caps. Dual-key kits also include anchors and construction spacers for poured concrete.

### SAFE AND SECURE

V-LOCK's locking mechanism and perimeter venting ensures compliance with AS1926.3, for all inlay types and thicknesses, in single and dual-key models.

### NON-CONDUCTIVE POLYMER

V-LOCK's reinforced, UV-stable engineering polymer provides superior strength, rigidity, and weatherability with no electrical bonding or unsightly tea-staining.



SINGLE KEY LID KIT

DUAL KEY LID KIT

# THE V-LOCK RANGE HAS THE PERFECT SOLUTION FOR YOUR POOL

## THE V-LOCK RANGE



SINGLE KEY

**S-SERIES**

S-SERIES Lids offer discreet access for small applications like hydrostatic stand pipes. Using the same V-LOCK Key as V-SERIES lids they comply with AS1926.3 for superior safety.

### Applications include:

- ▶ Hydrostatic stand pipes
- ▶ Plumbing inspection points
- ▶ Small pool deck equipment



SINGLE KEY

**M-SERIES and V-SERIES**

M-SERIES provides a concealed access solution for compact pool skimmers, while V-SERIES lids suit standard skimmers and pool deck equipment. The V-LOCK locking mechanism ensures full AS1926.3 compliance across all inlay materials and thicknesses, delivering ultimate pool safety.

### Applications include:

- ▶ Compact and standard Australian skimmers
- ▶ Auto levellers / fillers
- ▶ In-floor cleaning leaf canisters



DUAL KEY



SINGLE KEY

**VS COMBO KITS**

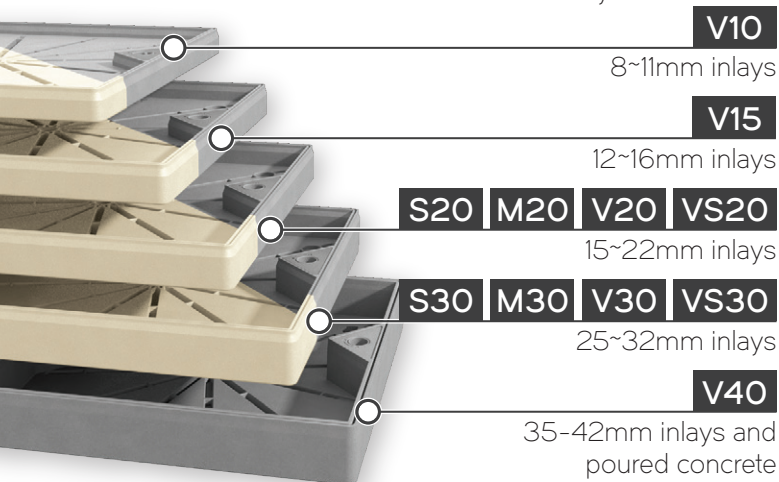
VS Combo Kits combine a V-SERIES and S-SERIES lid with a V-LOCK Key & adhesive. A simple, cost-effective solution for multi-lid installs such as fibreglass pools.

### Benefits include:

- ▶ Ideal for fibreglass pools
- ▶ Suitable for all pool types
- ▶ Convenient & cost effective

Summer Stone

Cement Grey



## DESIGNED FOR EVERY POOL DECK

V-LOCK V10 and V15 are the only polymer lids designed for thin tile or stone, featuring a unique rigid lid design that prevents cracking. S/M/V20 models suit popular 20mm thick finishes, while S/M/V30 models suit 30mm inlays.

Single key models are available in Summer Stone and Cement Grey colours to complement warm, neutral and cool-toned finishes. Decking inlays can be screwed directly into the polymer lid to prevent lifting caused by moisture.

M60 and V40 lids suit poured concrete and paver inlays and include construction caps and anchors for easy install. Clip-in trims provide a scratch-free finish every time.



Suitable for use with all inlay types



Polymer construction & superior lockable design



Twist & lift action for easy access to skimmer boxes



Durable & ergonomic metal lid key

# SPECIFICATIONS

|                     | S-SERIES   | M-SERIES  | V-SERIES  | VS COMBO KITS  |
|---------------------|--|---|---|--|
| <b>COLOUR</b>       | <ul style="list-style-type: none"> <li>Cement Grey</li> <li>Summer Stone</li> </ul>  | <ul style="list-style-type: none"> <li>Cement Grey</li> <li>Summer Stone<sup>1</sup></li> </ul>   | <ul style="list-style-type: none"> <li>Cement Grey</li> <li>Summer Stone<sup>1</sup></li> </ul>   | <ul style="list-style-type: none"> <li>Cement Grey</li> <li>Summer Stone</li> </ul>  |
| <b>POOL TYPE</b>    | Suits all pool types   | Suits all pool types  | Suits all pool types  | Suits all pool types   |
| <b>WARRANTY</b>     | 5 Years  | 5 Years   | 5 Years   | 5 Years  |
| <b>LOCK TYPE</b>    | Single Key   | Single Key/Dual Key   | Single Key/Dual Key   | Single Key   |
| <b>INLAY TYPE</b>   | Tile/Stone<br>Timber/Composite Deck  | Tile/Stone/Decking <sup>1</sup><br>Paver/Poured Concrete <sup>2</sup>   | Tile/Stone/Decking <sup>1</sup><br>Paver/Poured Concrete <sup>2</sup>   | Tile/Stone<br>Timber/Composite Deck  |
| <b>KIT CONTENTS</b> | <ul style="list-style-type: none"> <li>Outer Frame</li> <li>Lid Assembly</li> <li>Spacer Plate</li> <li>Lid Key</li> <li>Grouting Plugs</li> </ul> | <ul style="list-style-type: none"> <li>Outer Frame</li> <li>Lid Assembly</li> <li>Trim Plate/s</li> <li>Paver Template</li> <li>Lid Key/s</li> <li>Construction Cap/s</li> <li>Adhesive &amp; Nozzle<sup>1</sup></li> </ul> <p><b>M60 (Additional parts)</b></p> <ul style="list-style-type: none"> <li>Concrete Anchors</li> <li>Construction Spacers</li> </ul> | <ul style="list-style-type: none"> <li>Outer Frame</li> <li>Lid Assembly</li> <li>Spacer Plate</li> <li>Lid Key/s</li> <li>Grouting Plugs<sup>1</sup></li> <li>Adhesive &amp; Nozzle<sup>1</sup></li> </ul> <p><b>V40 (Additional parts)</b></p> <ul style="list-style-type: none"> <li>Construction Caps</li> <li>Trim Plates</li> <li>Concrete Anchors</li> <li>Construction Spacers</li> </ul> | <ul style="list-style-type: none"> <li>V-SERIES Outer Frame, Lid and Spacer Plate</li> <li>S-SERIES Outer Frame, Lid and Spacer Plate</li> <li>Lid Key</li> <li>Adhesive &amp; Nozzle</li> <li>Grouting Plugs</li> </ul> |

<sup>1</sup> Single Key only <sup>2</sup> Dual Key only

| INLAY THICKNESS | MODEL      | PART #  | MODEL      | PART #  | MODEL      | PART #  | MODEL       | PART #  |
|-----------------|------------|---|------------|---|------------|---|-------------|---|
| 8~11 mm         | -          | -   | -          | -   | <b>V10</b> | <ul style="list-style-type: none"> <li>475-201</li> <li>475-201-SR</li> </ul> | -           | -   |
| 12~16 mm        | -          | -   | -          | -   | <b>V15</b> | <ul style="list-style-type: none"> <li>475-203</li> <li>475-203-SR</li> </ul> | -           | -   |
| 15~22 mm        | <b>S20</b> | <ul style="list-style-type: none"> <li>475-219</li> <li>475-219-SR</li> </ul> | <b>M20</b> | <ul style="list-style-type: none"> <li>475-227</li> <li>475-227-SR</li> </ul> | <b>V20</b> | <ul style="list-style-type: none"> <li>475-205</li> <li>475-205-SR</li> </ul> | <b>VS20</b> | <ul style="list-style-type: none"> <li>475-237</li> <li>475-237-SR</li> </ul> |
| 25~32 mm        | <b>S30</b> | <ul style="list-style-type: none"> <li>475-221</li> <li>475-221-SR</li> </ul> | <b>M30</b> | <ul style="list-style-type: none"> <li>475-229</li> <li>475-229-SR</li> </ul> | <b>V30</b> | <ul style="list-style-type: none"> <li>475-207</li> <li>475-207-SR</li> </ul> | <b>VS30</b> | <ul style="list-style-type: none"> <li>475-238</li> <li>475-238-SR</li> </ul> |
| 35~42 mm        | -          | -   | -          | -   | <b>V40</b> | <ul style="list-style-type: none"> <li>475-231</li> <li>N/A</li> </ul>        | -           | -   |
| 54~60 mm        | -          | -   | <b>M60</b> | <ul style="list-style-type: none"> <li>475-223</li> <li>N/A</li> </ul>        | -          | -   | -           | -   |

## KEY DIMENSIONS

\*Equal dimension for width and length | All dimensions in mm | Tolerance +/- 10mm | Specifications subject to change without notice.

| S-SERIES   | V-SERIES   M-SERIES - SINGLE KEY   |  | V-SERIES   M-SERIES - DUAL KEY   |  |
|--|--|--|--|--|
| <p><b>A - FRAME*</b><br/><b>B - INLAY*</b></p> <p>FRAME DEPTH<br/>S20: 37<br/>S30: 47</p> <p>Ø C - OPENING</p> | <p><b>A - FRAME*</b><br/><b>B - INLAY*</b></p> <p>FRAME DEPTH<br/>V10: 26<br/>V15: 32<br/>V20: 37<br/>V30: 47<br/>M20: 33<br/>M30: 43</p> <p>Ø C - OPENING</p> |  | <p><b>A - FRAME*</b><br/><b>B - INLAY*</b></p> <p>FRAME DEPTH<br/>V40: 54<br/>M60: 73</p> <p>Ø C - OPENING</p> |  |
| <p><b>S-SERIES</b></p> <p><b>A 206   B 185   C 167</b></p>   | <p><b>M-SERIES</b></p> <p><b>A 305   B 281   C 254</b></p>   | <p><b>V-SERIES</b></p> <p><b>A 342   B 322   C 293</b></p> | <p><b>M-SERIES</b></p> <p><b>A 305   B 281   C 254</b></p>   | <p><b>V-SERIES</b></p> <p><b>A 342   B 321   C 293</b></p> |

AQUEA® and V-LOCK® are registered trademarks of AQUEA Pty. Ltd.

The contents of this document are the exclusive copyright of AQUEA® and may not be reproduced without written permission. © 2026

Whilst every care was taken in preparation of this document, AQUEA® accepts no responsibility for the accuracy of the information supplied.

475-849-05

# AQUEA

HELLO@AQUEA.COM.AU

WWW.AQUEA.COM.AU

0481 875 870



BUILD A  
BETTER  
POOL