

AQUEA | V-LOCK LID

THE LOCKABLE CONCEALED ACCESS LID FOR SKIMMER BOXES

V-LOCK's unique locking system provides superior safety for pool owners, and simplifies Australian standards compliance for pool builders.

The flush-fitting lid is easy to install and blends into the pool surrounds. The V-LOCK range includes models to suit tile, stone and timber deck finishes.

V-LOCK's advanced engineering polymer delivers superior strength, rigidity and weatherability without the need for electrical bonding.

KEY FEATURES:

- ▼ Lockable lid for superior safety
- ▼ Seamless access to skimmers and pool deck equipment
- ▼ Reinforced polymer construction avoids electrical bonding
- ▼ Versatile range for tile, stone and timber inlays

V-LOCK LID - V-SERIES RANGE

MODEL	INLAY THICKNESS	INTERNAL LID DEPTH	PART NO.
V10	8~11 mm	12 mm	● 475-201 ● 475-201-SR
V15	12~16 mm	18 mm	● 475-203 ● 475-203-SR
V20	15~22 mm	23 mm	● 475-205 ● 475-205-SR
V30	25~32 mm	33 mm	● 475-207 ● 475-207-SR
S20	15~22 mm	23 mm	● 475-219 ● 475-219-SR
S30	25~32 mm	33 mm	● 475-221 ● 475-221-SR

SPECIFICATIONS

DESCRIPTION V-LOCK Lid Kit

COLOURS Cement Grey
 Summer Stone

POOL TYPE Suits all pool types



WANT MORE INFORMATION?

Scan this code to watch our series of helpful V-LOCK Lid videos.

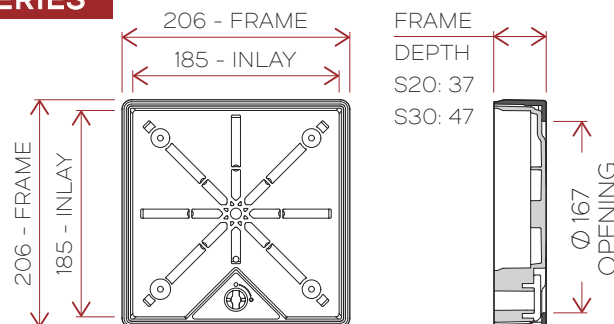


Specifications subject to change without notice.

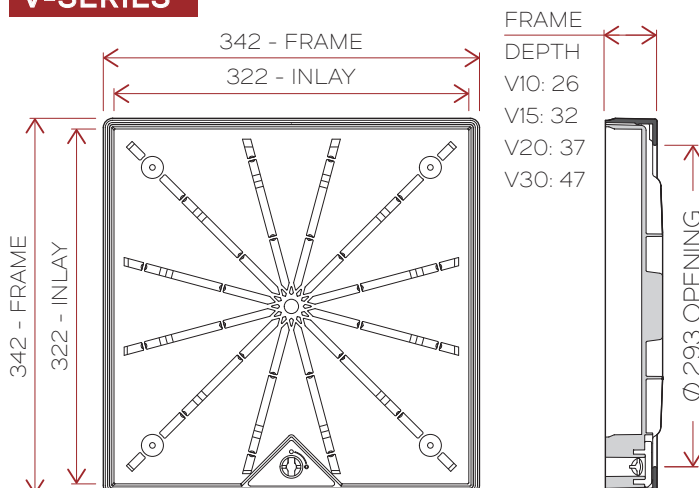
KEY DIMENSIONS

All dimensions in mm Tolerance +/- 1.0mm

S-SERIES



V-SERIES



AQUEA® and V-LOCK® are registered trademarks of AQUEA Pty. Ltd. The contents of this document are the exclusive copyright of AQUEA® and may not be reproduced without written permission. © 2026 Whilst every care was taken in preparation of this document, AQUEA® accepts no responsibility for the accuracy of the information supplied.

475-825-04

AQUEA

HELLO@AQUEA.COM.AU

WWW.AQUEA.COM.AU

0481 875 870



BUILD A
BETTER
POOL